

**Description**

The BL series of LED Bargraph display, using high brightness LED chips and semiconductor encapsulations processing technology, is the ideal display device to replace moving coil indicators. Widely used in electronic display meters and instruments. The feature is as follows.

**Features**

- The use of sub-block scattering techniques, wide angle of view
- Clearly display, uniform brightness
- Antimagnetic, aseismatic, impact resistance
- High reliability, maximum mean life

**Absolute Maximum Rating (T<sub>A</sub>=25 °C)**

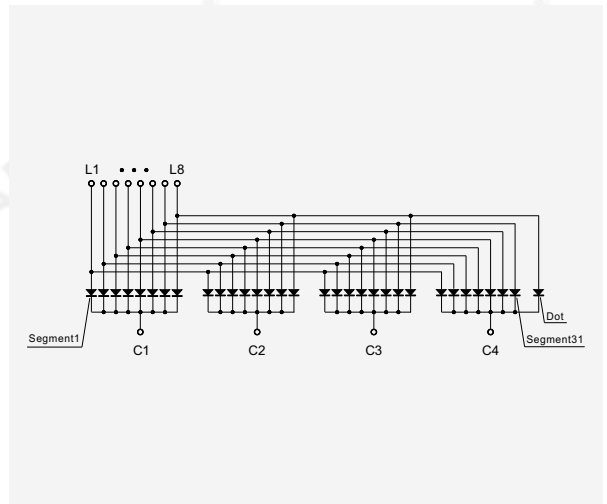
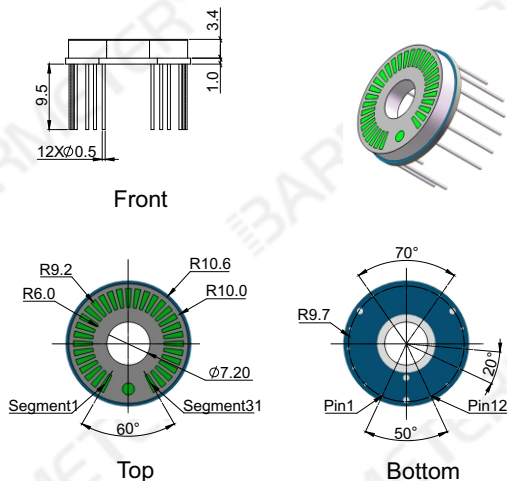
	Symbol	Min.	Typ.	Max.	Units
Peak forward current	I <sub>F</sub>	30	80	100	mA
Reverse voltage	V <sub>R</sub>		5		V
Power dissipation	P <sub>W</sub>		0.2 (F.S.)	0.3	W
Operating temperature range	T <sub>J</sub>	-25		70	°C
Storage temperature range	T <sub>Stg</sub>	-40		85	°C
Soldering time at 260°C			3sec		

**Electro-optical Characteristics (T<sub>A</sub>=25 °C)**

	Symbol	Red	Yellow	Emerald	Test condition
Peak wavelength	λ <sub>P</sub>	625nm	590nm	520nm	I <sub>F</sub> =20mA
Segment brightness	I <sub>V</sub>	120mcd	500mcd	15mw	I <sub>F</sub> =20mA
Forward voltage	V <sub>F</sub>	2.2V	2.2V	2.8V	I <sub>F</sub> =20mA

[Http://www.barmeter.com](http://www.barmeter.com)      [Http://www.barmeter.com](http://www.barmeter.com)      [Http://www.barmeter.com](http://www.barmeter.com)

**Dimension and Circuit**



**Pin Definition**

Pin No.	1	2	3	4	5	6	7	8	9	10	11	12
COM					C4	C3	C2		C1			
SEGMENT	L8	L7	L6	L5				L1		L3	L4	L2